



GFE-MCPA

Addressable Manual Call Point

With
Loop Isolator
optional

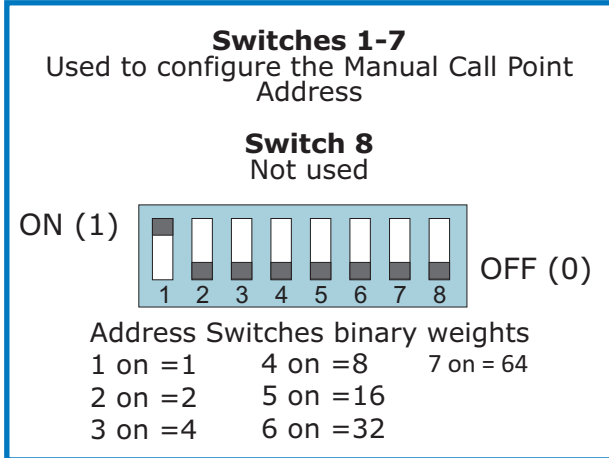
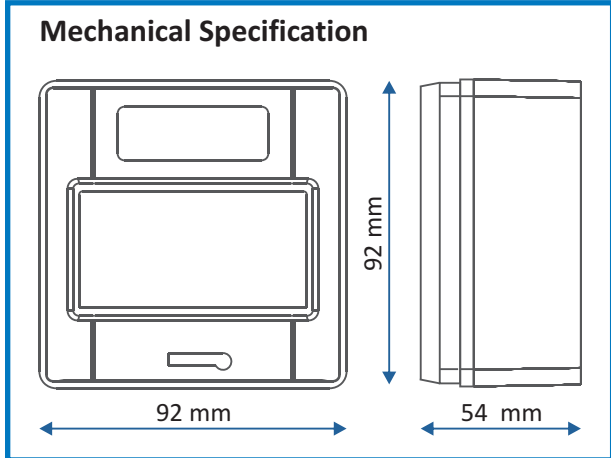


The GFE-MCPA is an Analogue Addressable Manual Call Point, designed and manufactured to comply with EN-54 part 11, compatible with all GFE Addressable Control panels. There is also a version incorporating a loop isolator.

With its enhanced communications mechanism the typical response time, when in alarm, is approximately one second, depending on the number of call points connected to the device loop.

A bi-colour LED flashes Green when the unit is interrogated by the control panel and is illuminated Red when in Alarm. The command to illuminate the Red LED is emitted by the control panel in response to activation of the individual call point thus confirming that the Alarm signal has been received at the control panel. The individual address, up to 125, of each call point is set via an eight way DIL switch.

The unit is supplied complete with a hinged flap which protects the trigger element from accidental activation and reduces malicious activations as two actions are required in order to activate the device. This unit can be both surface and flush mounted and it can be easily reset using the supplied key after activation.



Technical Specifications	
Supply Voltage	Loop Powered 17-30 V DC
Current - Quiescent	500 uA - 650 uA for GFE-MCPA-ISO
Current - Device in Alarm	3.5 mA - Alarm LED Illuminated
Current - Loop Short Circuit	3.1mA - YELLOW LED ON only applies to GFE-MCPA-ISO
Cable Size	0.5-2.5 mm ²
Max. Recommended per Loop	30 GFE-MCPA or 6 GFE-MCPA-ISO
Colour/ Case Material/ Protection	Red / ABS Flame Retardant 94V0/ IP24
Oper. Temperature/ Max. Humidity	-10 °C to 50 °C/ 95% RH Non-Condensing
Dimensions/ Weight	92.0 (W) x 92.0 (H) x 54.0 (D) mm/ 152 grams
Order Code	
GFE-MCPA	Addressable Manual Call Point
GFE-MCPA-ISO	Addressable Manual Call Point w/ Loop Isolator

Global Fire Equipment Lda.

MARF - Armazéns F3 e F4, Sítio do Guelhim, Estoi, 8009-021 FARO, PORTUGAL
Tel: + 351 289 896 560 Fax: + 351 289 865 587



Sales sales@globalfire.pt **Technical Support** techs@globalfire.pt