



Sonos Sounder (DC)

- Simple 'First Fix' installation (no second fix wiring)
- Smooth flow cabling for faster installation
- Quick connect/disconnect
- No locking screw required
- Tone and volume can be preset or adjusted off-base
- Weatherproof to IP65 (deep base units)
- Synchronised alarm tones

A general purpose electronic sounder for fire, security and industrial applications; the Sonos sounder is designed to meet the requirements of EN54.

With the TimeSaver base, connections are made to the base during the initial wiring phase which results in faster and more reliable installation. The sounder head 'twists and clicks' into the base on commissioning, avoiding the wiring and connection problems associated with traditional sounders.

With a choice of 32 tones including all the major international standards, the Sonos sounder has universal acceptance.

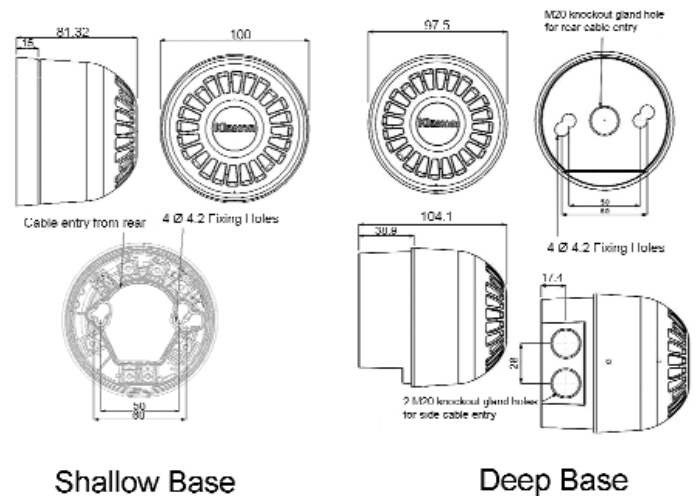
Deep base units have weatherproof protection to IP65 and can be used in all locations both indoors and outdoors.

Sonos sounder units are available in either red or white and with a choice of deep or shallow

TimeSaver base. Other colours are available depending on quantity.

AC version available - see separate datasheet.

Applications: fire; security; industrial.



Shallow Base

Deep Base

Part No.	Colours	Audibility at 1m (tone dependent)	Tones	Voltage*	Current (tone dependent)
18-980450 (shallow base)	Red	106dB (A)	32	8-35V DC	6-35mA
18-980475 (shallow base)	White	106dB (A)	32	8-35V DC	6-35mA
18-980451 (deep base)	Red	106dB (A)	32	8-35V DC	6-35mA
18-980476 (deep base)	White	106dB (A)	32	8-35V DC	6-35mA

*EN54 compliant to 12V, 24V, 48V

IP Rating: IP65 (deep base only)
Rating: Continuous
Frequency: 400-2850Hz
Operating temp: -25°C to +70°C
Construction: Flame retardant polycarbonate
Cable Entries: Deep base: 2 x 20mm cable glands
Weight: Deep base: 250g, Shallow base: 215g
Compliance: Shallow base - EN54 3 Type A. Deep base - EN54 3 Type B